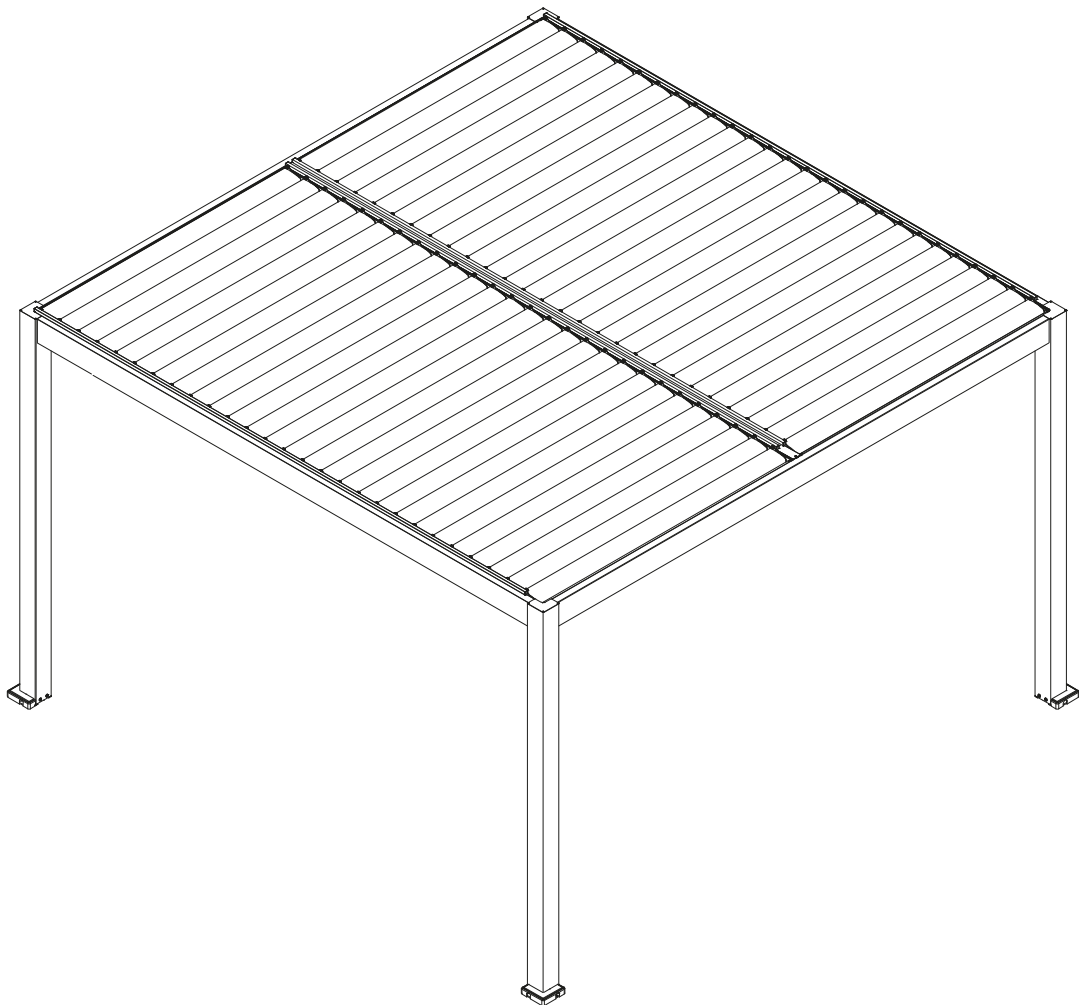


# LYRA T6 ALUMINIUM PERGOLA (4X4) INSTALLATION INSTRUCTION



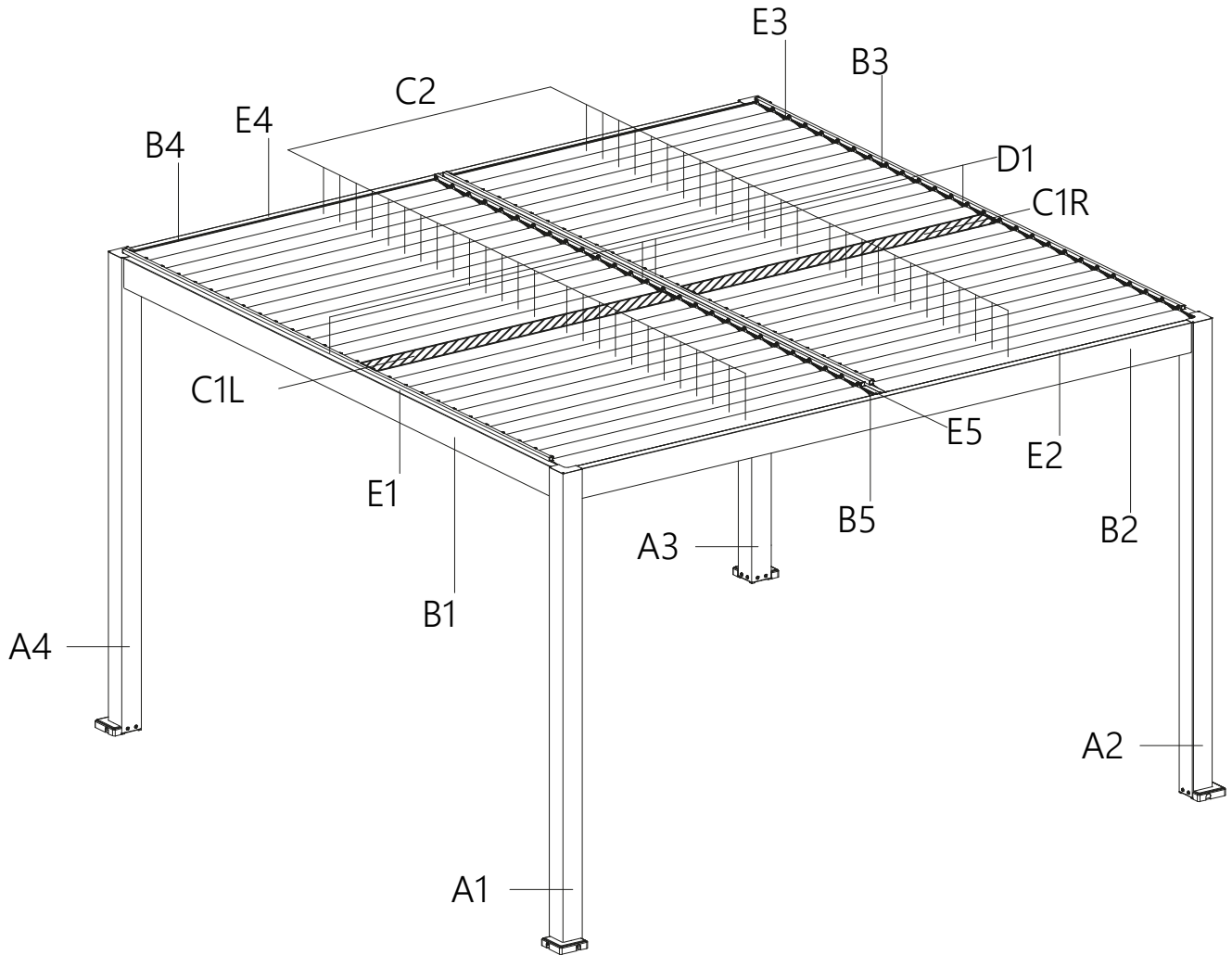
# Installation Statements

Before you start to install product ,please read below notes:

- 1.This is a general version manual .Please make sure that you review original design when place an order and read this manual several times before start to assemble the pergola .These installation steps can be referred to in this manual ,However ,other specific details such as motor position ,drainage direction etc. should be accord to the drawing of the order you placed
- 2.Please check the components list and confirm all items on the list ! Do not throw away any package until the pergola is installed successfully
- 3.Minimum 3 people are required during the installation
- 4.It needs 2 people to lift the product parts from the package ,please put the product very gentle ,it is better to cover a carpet or hard paper box on the floor to protect it from scratching
- 5.You should remove the film coated on the aluminum profiles entirely during the installation because it is difficult to remove them after explosion under hot temperature.
- 6.Please do not DIY our product and take use of the other alternative accessories when you change the original design ,that will void your warranty
- 7.We hold no responsibility for any damage caused due to human factor ,especially incorrect assembly
- 8.During the installation process, if you encounter any uncertainties, please refer to the installation instructions on the product page of the website.

Please refer to the 2D view drawing of the product before installing it, and then follow the installation steps in this installation manual


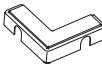



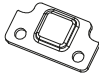
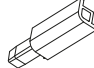
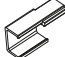
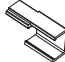


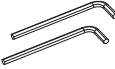


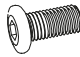



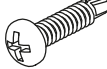

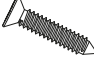

### Components



code	name	section	photo
A1	post		
A2	post		
A3	post		
A4	post		
B1	beam & gutter		
B2	beam & gutter		
B3	beam & gutter		
B4	beam & gutter		
B5	beam & gutter		

code	name	section	photo
C1L	driven louver (L)		
C1R	driven louver (R)		
C2	louver		
D1	connection bar		
E1	beam flashing		
E2	beam flashing		
E3	beam flashing		
E4	beam flashing		
E5	beam flashing		

## Hardware

code	name	photo	remarks
1-3	base plate		
2-6	base plate cover		
3-3	post top cover		
4-11	driven louver cap ( R )		
4-12	driven louver cap ( L )		
5-1	louver pivot cap		
6-1	gutter corner insert bar		
6-2	gutter decoration casing ( L )		
6-3	gutter decoration casing ( R )		
7-3	economical transformer single motor double led light (control system)		packed in the post
8-4	remote control		
15-1	hex wrench(5mm)		
15-2	short hex wrench (5mm)		
16-1	M10*100 S/S expansion bolt		
17-1	S/S hex bolt (M8*14)		
17-3	S/S hex bolt (M8*20)		
19-1	M8wahser		
21-1	4*14 S/S cross head drilling screw		
22-1	S/S drilling screw 4.2*16		
24-1	4.2*16 S/S self tapping screw		
24-2	S/S self tapping screw (4*20)		
27-1	∅8*M6*5 thumb screw		

Note: Silicone sealant and installation tools are not included. Please purchase them locally.

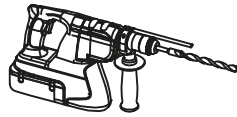
## What you need



drill



screwdriver bit



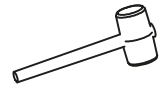
impact drill,  
Ø12mm bit\*1



iron hammer



marker



rubber harmer



tape measure



gradienter



17mm wrench



helmet

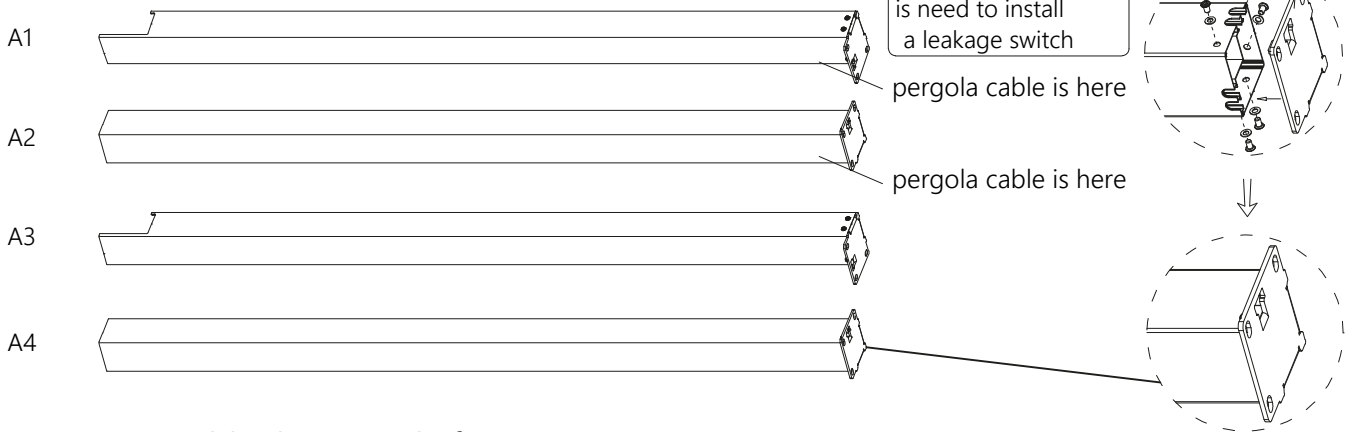


ladder\*3

## INSTALLATION

Step one: Assemble the post and base plate(A1 A2 are the pergola cable position)

1.1、 Insert the base into the bottom of the post and fix it with screws.

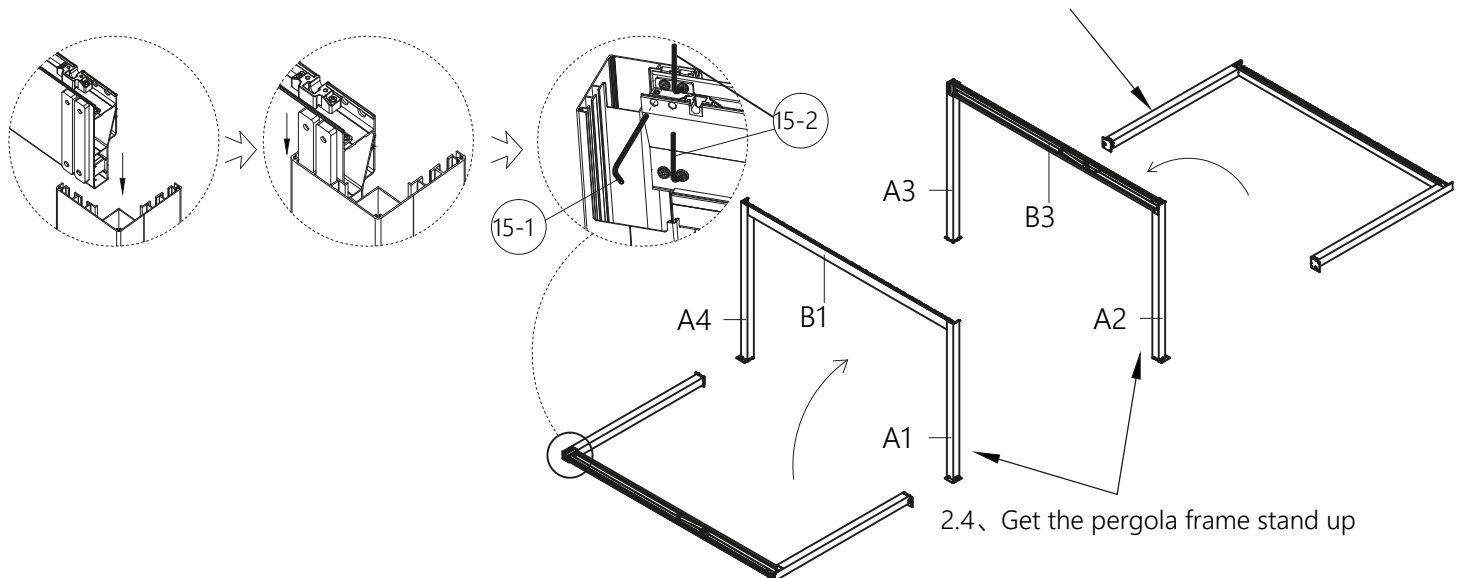


Step two: Assemble the pergola frame

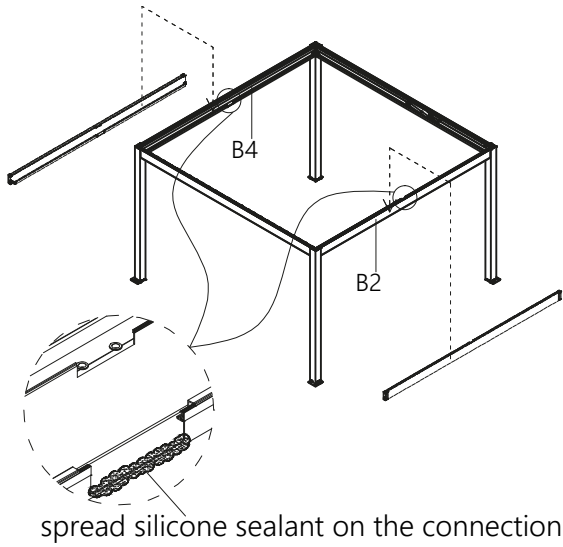
2.1、 Insert the beam&gutter B1 B3 into the groove of post

2.2、 Fasten the bolt from inner side of gutter

2.3、 Assemble the remaining pergoa frame

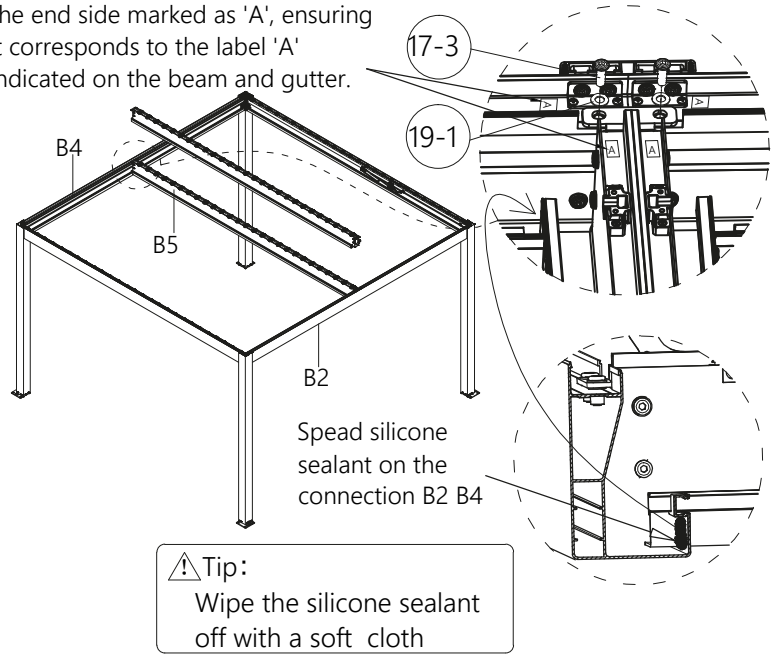


### 2.5、 Install the beam B2 and B4

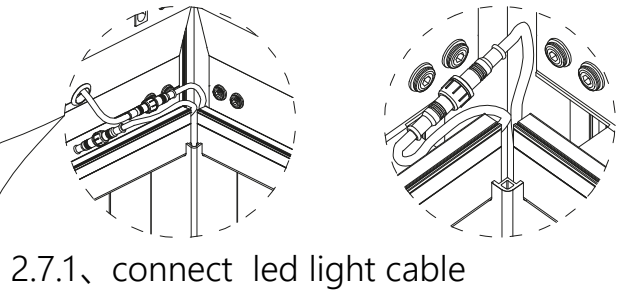
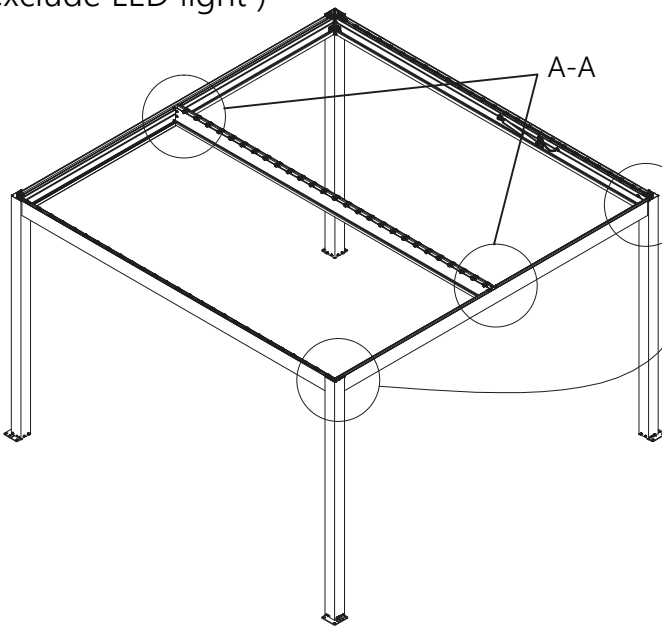


### 2.6、 Install the divided beam B5

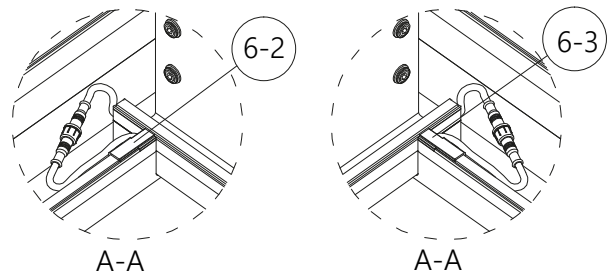
Install Beam B5 in accordance with the end side marked as 'A', ensuring it corresponds to the label 'A' indicated on the beam and gutter.



### 2.7、 connect the led light strip. (ignore this step if the pergola exclude LED light )



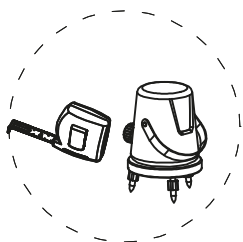
### 2.8、 Install the gutter decoration casing



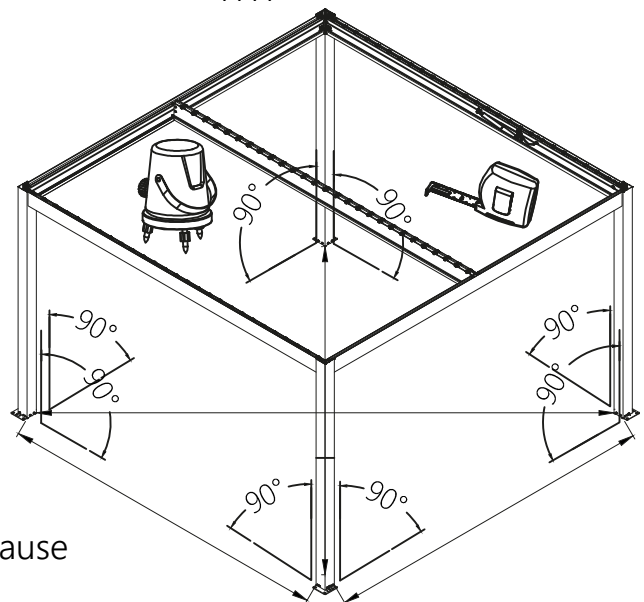
### Step three: Adjust the pergola position

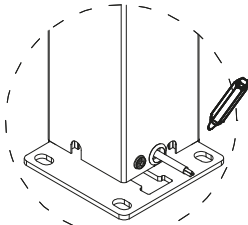
⚠ Note:

- 1.Ensure the post at correct position, and stand 90 angle with floor.
- 2.Before you fasten the screws, you should double check the pergola's position.

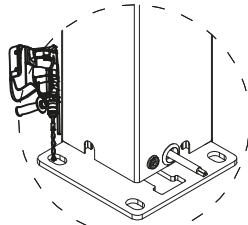


### 3.1、 Double check the pergola position because the frame may move during installation

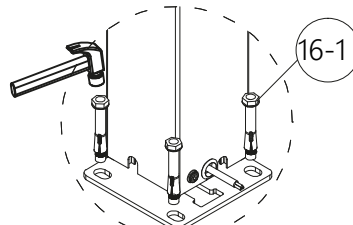




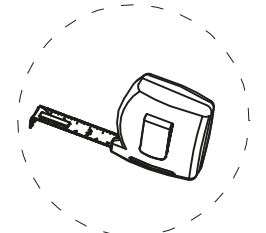
3.2、 Mark the drill holes on the concrete floor



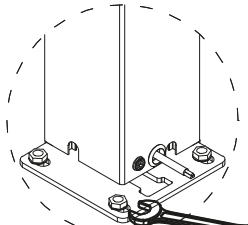
3.3、 drill  $\varnothing 12$



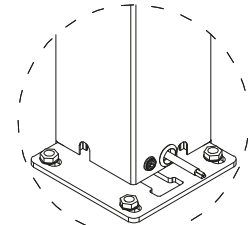
3.4、 stuff the expansion bolt into holes



3.5、 Check the pergola position again



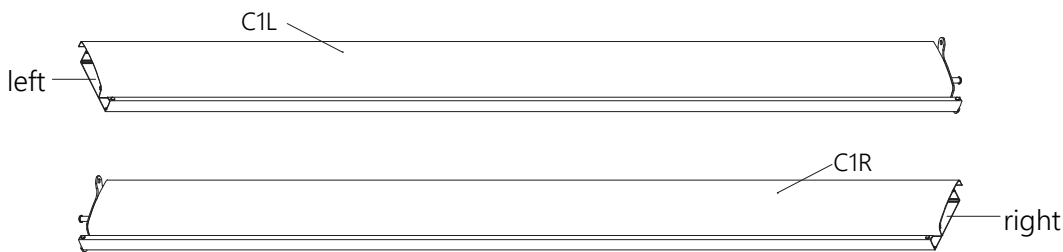
3.6、 fasten the bolt



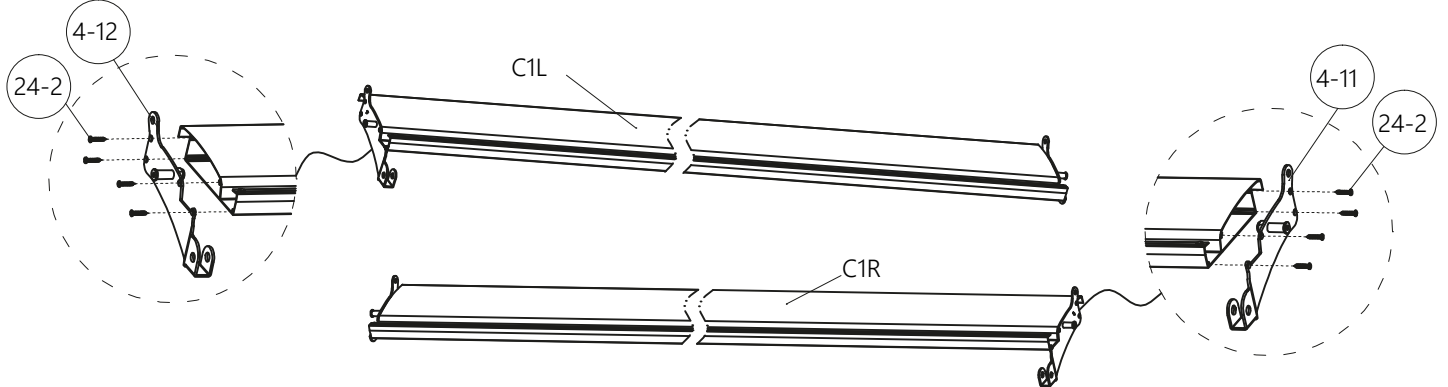
3.7、 complete

### Step four: install the louvers

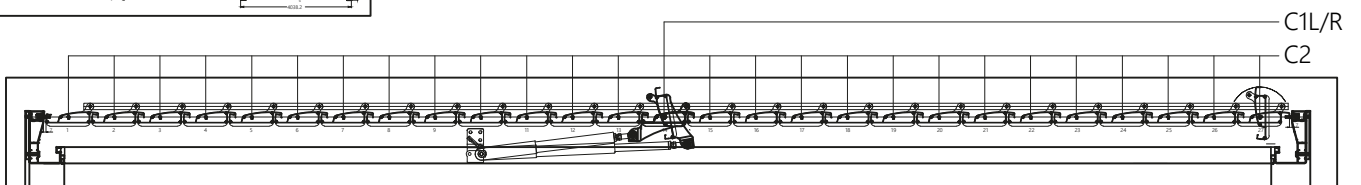
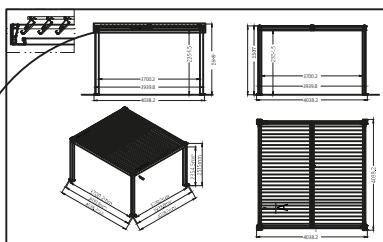
4.1、 Take out the driven louver from the package



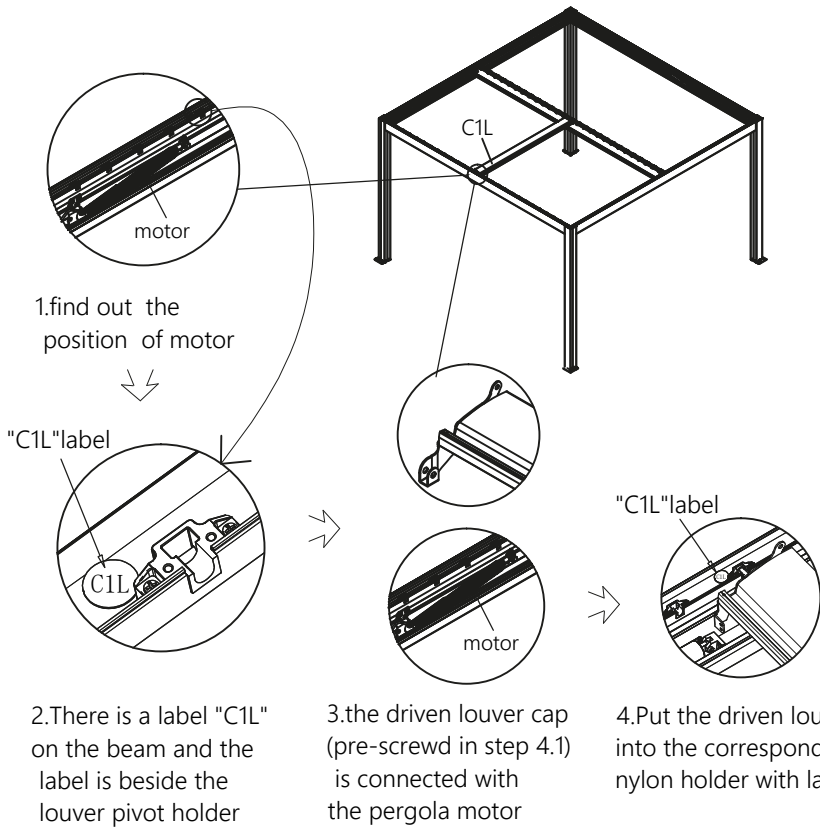
4.2、 screw the driven louver cap on the driven louver



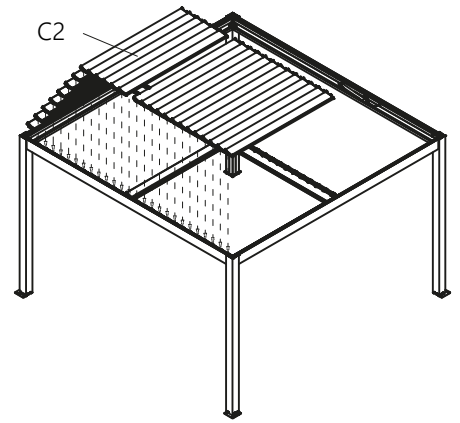
4.3、 Check the drawing and confirm the driven louver position



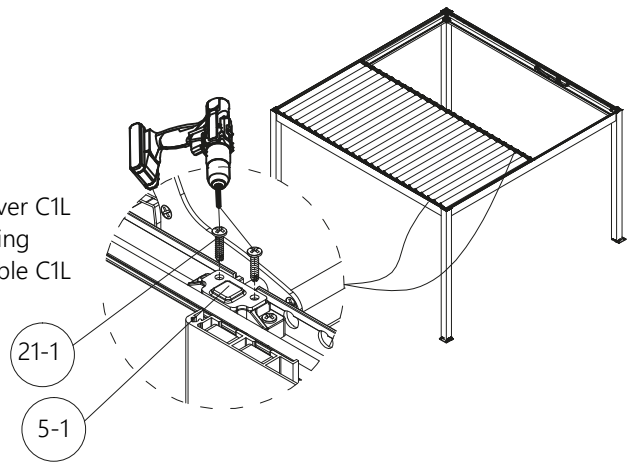
4.4、 You could recognise the driven louver C1 base on the installation guide



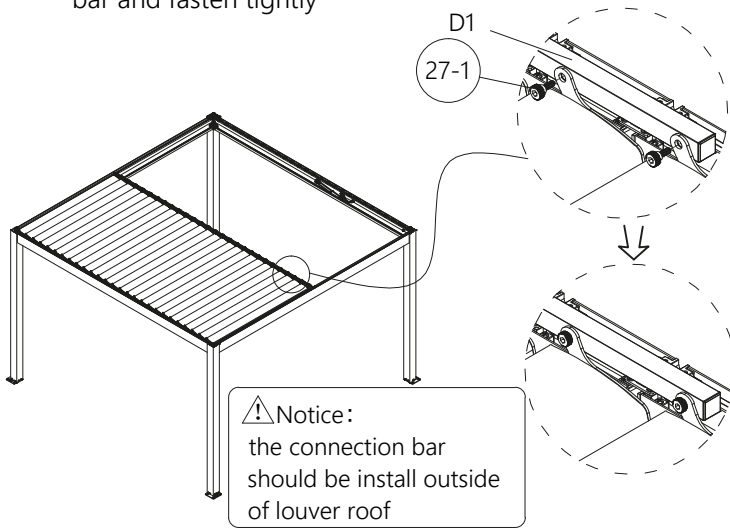
4.5、 Finish the first bay louvers



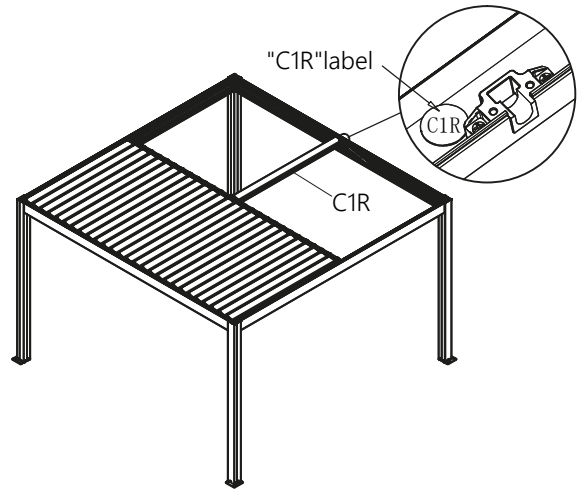
4.6、 Screw the louver pivot caps after finish the first bay louvers



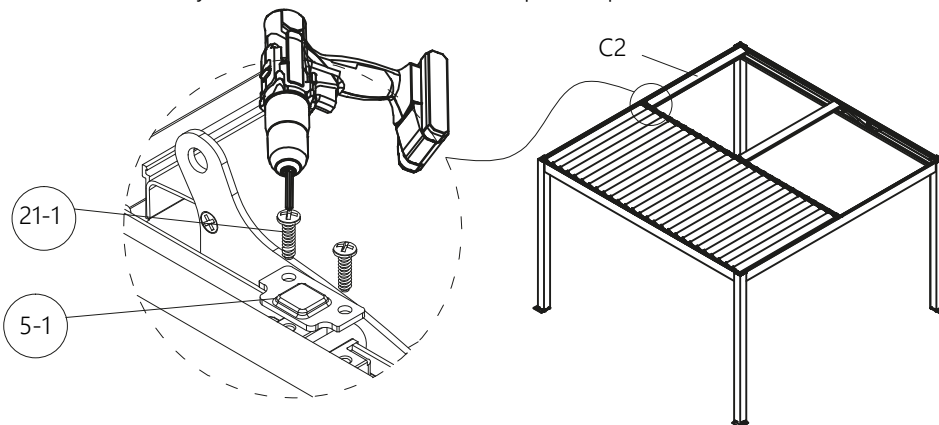
4.7、 Install the first bay connection bar and fasten tightly



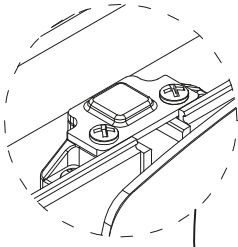
4.8、 Install the driven louver in the second bays as previous step .



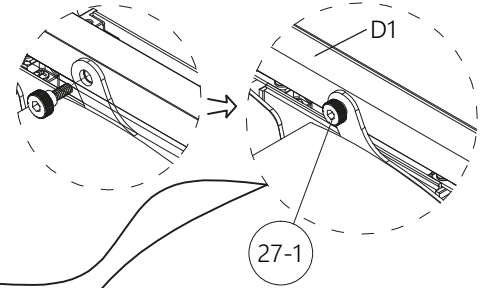
4.9、 Install the second bay louvers and screw the louver pivot cap each three louvers



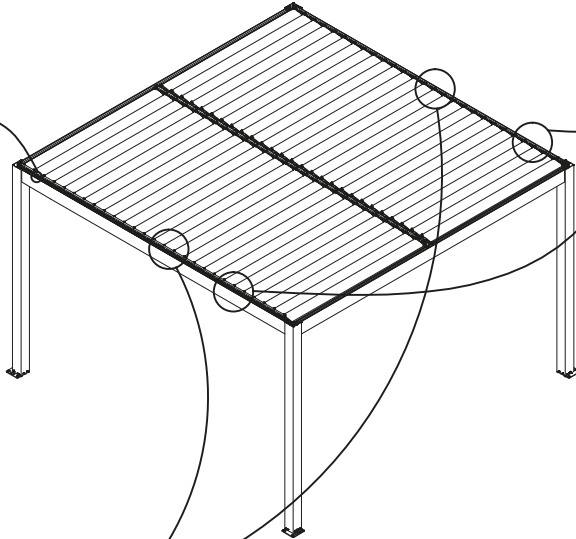
4.10、Screw the louver pivot cap after all louvers are installed without mistake



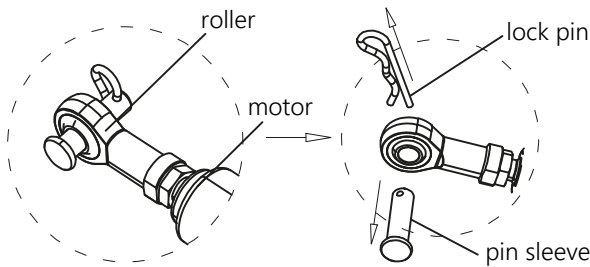
4.11、Install the outside connection bars and fasten it in case loosen during using



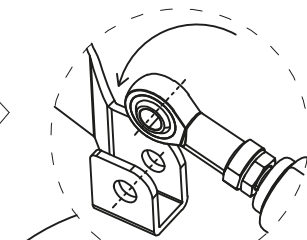
⚠ Notice:  
the connection bar should be install outside of louver roof



4.12、Connect the motor with driven louver blade

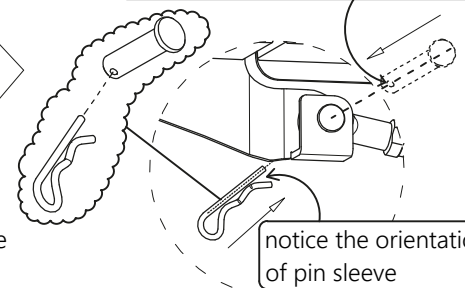


4.12-1、take apart the pre-assembled lock pin and sleeve in advance



4.12-2、align the motor roller hole with driven louver blade

you should notice the orientation of pin sleeve before you insert the lock pin



notice the orientation of pin sleeve

There are two situations that are difficult when you install it.

Situation 1: The motor roller hole is not aligned with the louver blade, and the roller is positioned ahead

screw the nuts to adjust the roller position

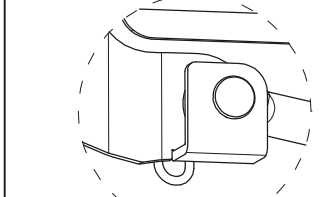
Adjust the motor roller to align with the louver blade.

note: the tolerance of the roller head stretching is  $\pm 2.5\text{mm}$

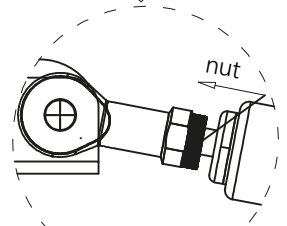
Situation 2: The motor roller hole is not aligned with the louver blade, and the roller is positioned short

screw the nuts to adjust the roller position

adjust the motor roller to align with the louver blade

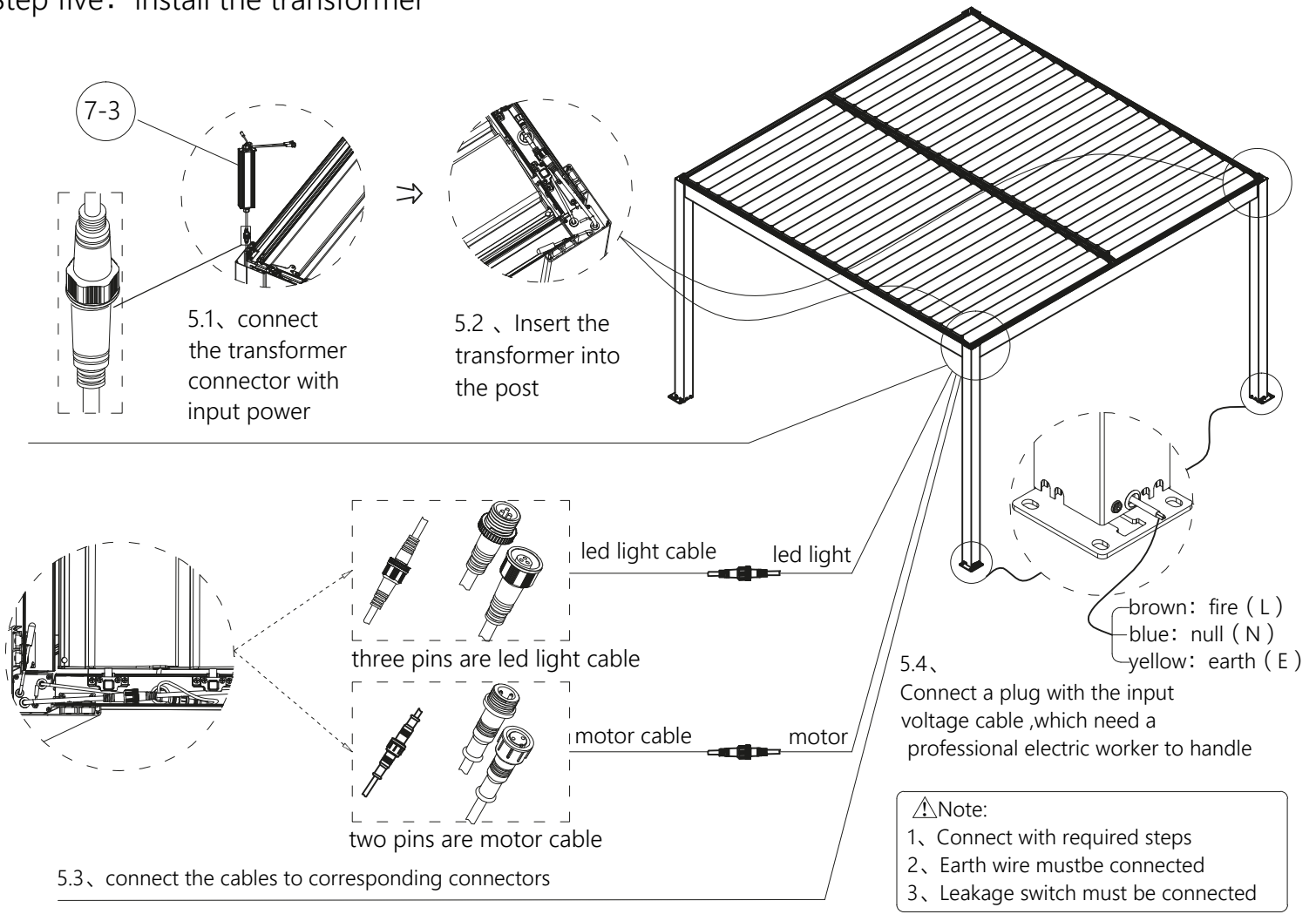


4.12-3、insert the pin sleeve first and then insert the pin into the sleeve



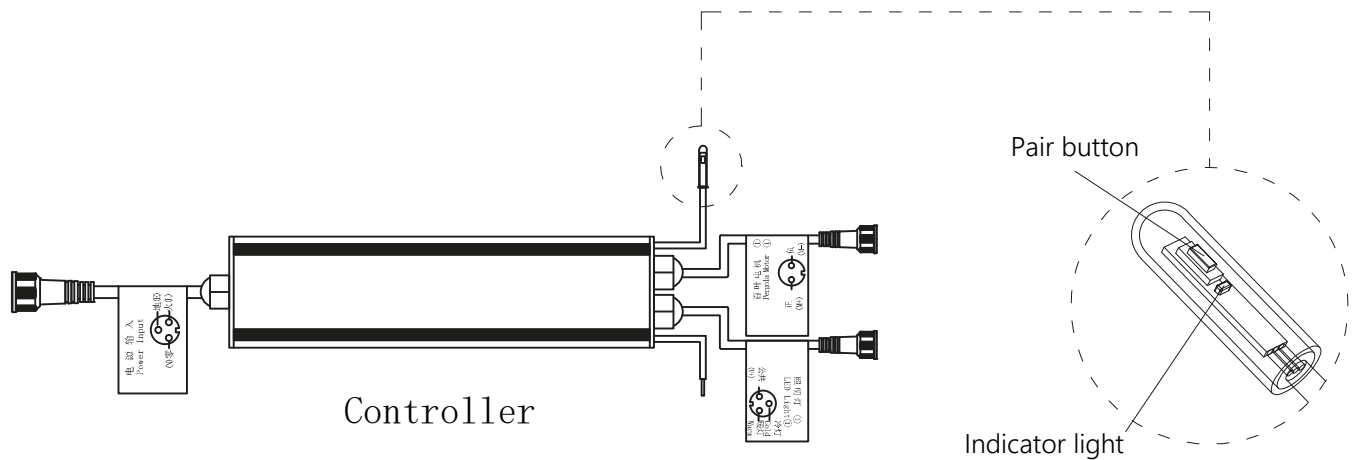
4.12-4、screw the nuts to fasten the motor with driven louver blade

### Step five: install the transformer



### Step six: Remote control pair button

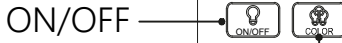
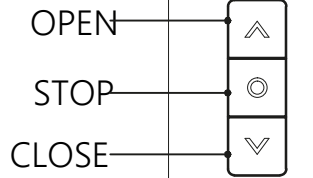
(Generally the factory has paired button, if there is no pair button according to this step operation )



Press on the "ON/OFF".  
turn on/off cycle control

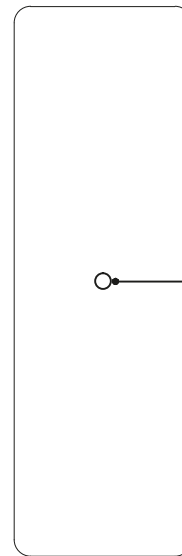
1.Press the "Color  
change" brightness dimming  
and brightening cycle  
dimming

2.Press the "Color change",  
cool light, warm light 2 kinds  
of color mode cycle change.



8-4

Front



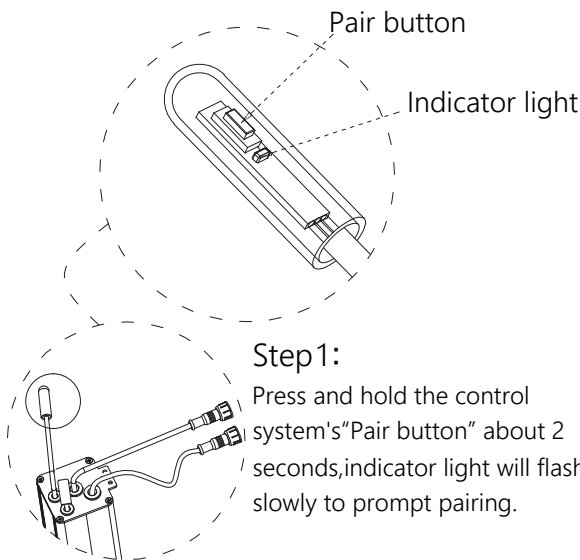
Back button

Description:  
Remote control  
distance (without  
cover) <50 meters

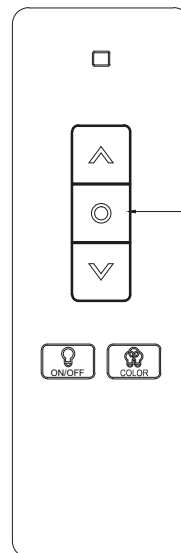
Back

### Remote Control

#### 6.1 Pairing ( Quick pair button when the controller is not sealed inside the finished product )



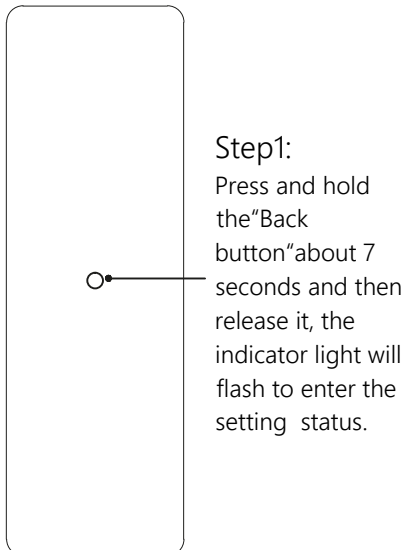
**Step1:**  
Press and hold the control  
system's "Pair button" about 2  
seconds, indicator light will flash  
slowly to prompt pairing.



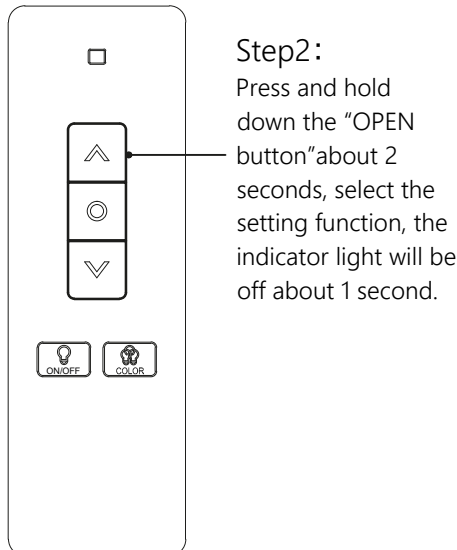
**Step2:**  
Press and hold the "Stop button" about  
2 seconds until the indicator light turn off  
about 1 second.

#### 6.2、 Switching direction

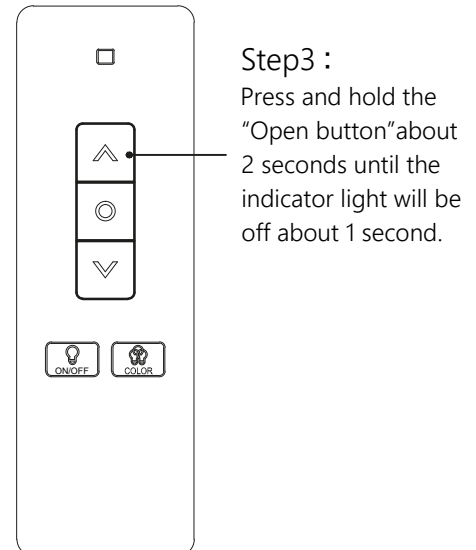
Note: After installing on the finished product, if the running direction is not corresponding to the remote control, please switch the direction.



**Step1:**  
Press and hold  
the "Back  
button" about 7  
seconds and then  
release it, the  
indicator light will  
flash to enter the  
setting status.

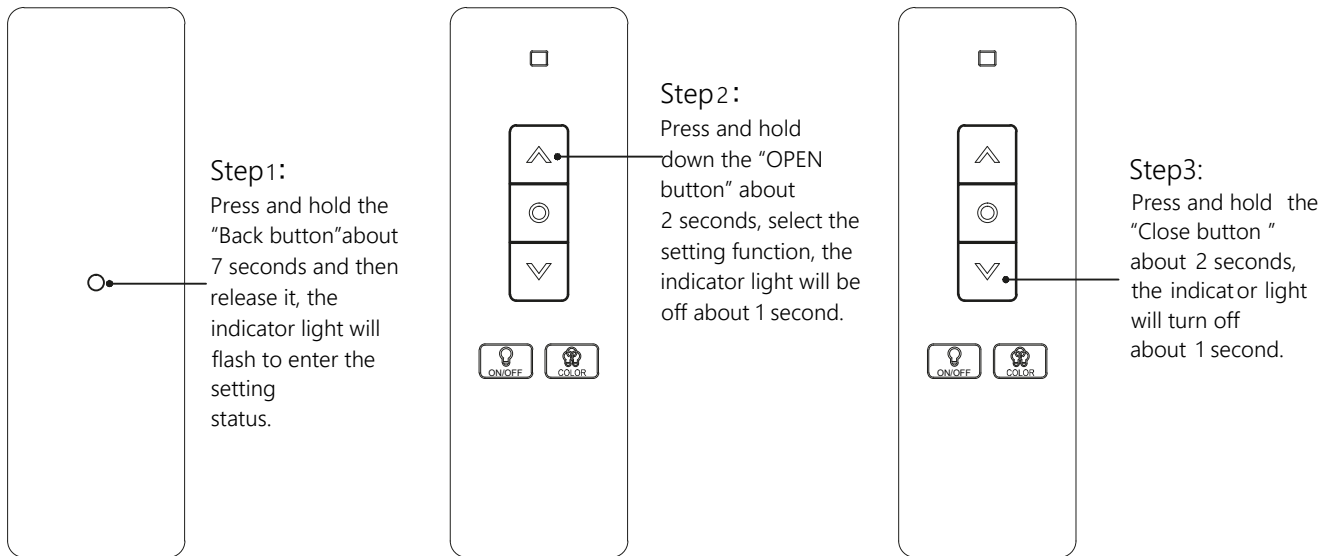


**Step2:**  
Press and hold  
down the "OPEN  
button" about 2  
seconds, select the  
setting function, the  
indicator light will be  
off about 1 second.



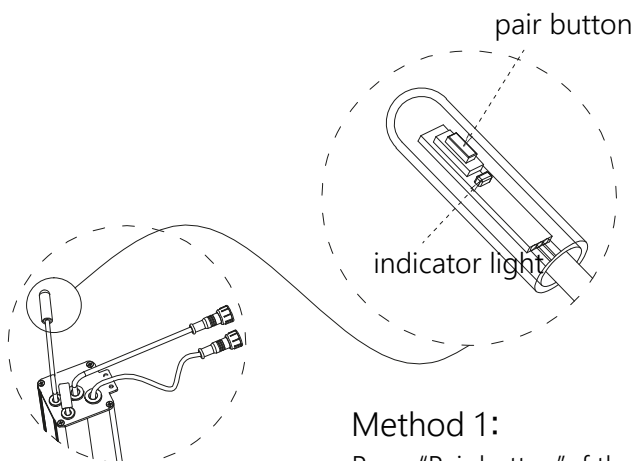
**Step3 :**  
Press and hold the  
"Open button" about  
2 seconds until the  
indicator light will be  
off about 1 second.

### 6.3 Delete the Remote Connected with Control System



### 6.4. Reset

Note: All logics in the system are cleared ,restore factory resetting



#### Method 1:

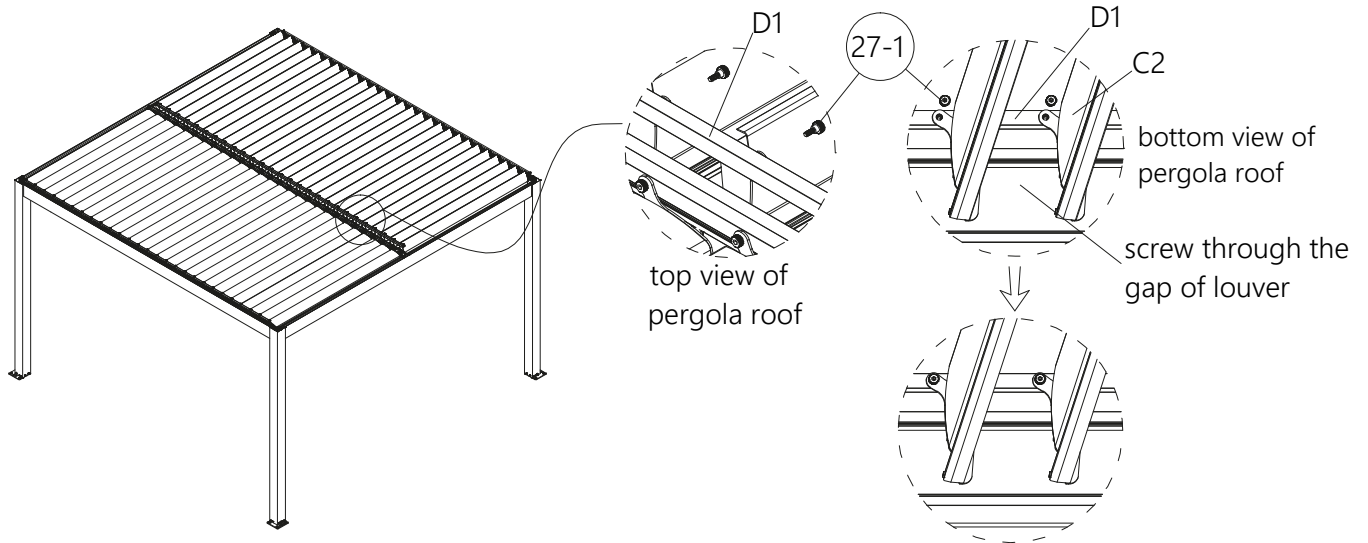
Press "Pair button" of the control system 4 times in a row quickly, and press and hold about 3 seconds for the fifth time, and the indicator light will be off about 3 seconds.

#### Method 2:

- 1) Press and hold "Back button" about 7 seconds, (for first 2 seconds, the indicator light flashes slowly to enter pairing status, and up to 7 seconds, the indicator light flashes quickly to enter the setting status).
- 2) Press and hold "Stop button" about 2 seconds to select the setting function, the indicator light will be off about 1 second.
- 3) Press and hold "Close button" about 2 seconds, and the indicator light will be off about 3 seconds.

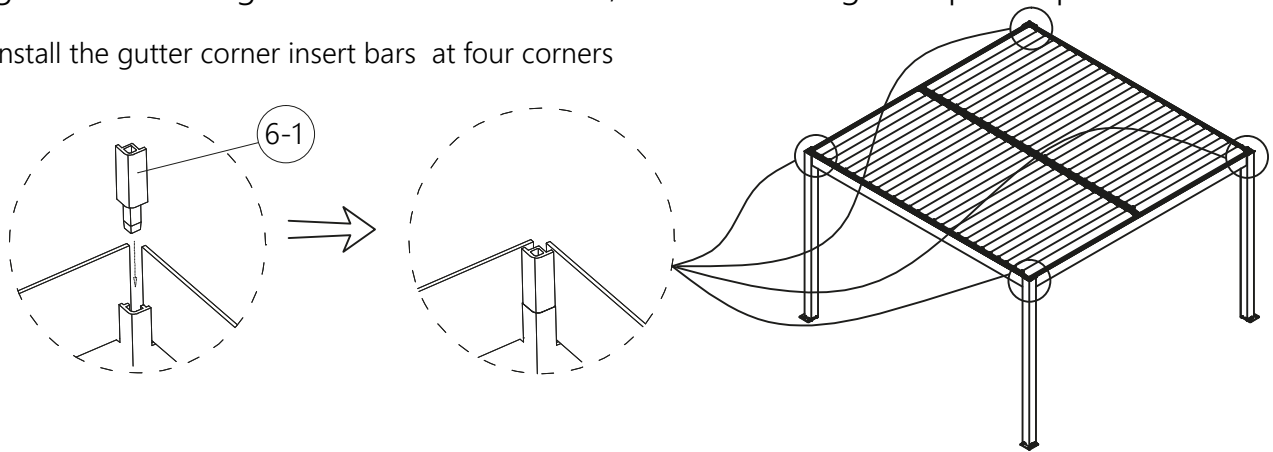
Step seven: Install the connection bar in the middle divided beam of pergola

7.1、 It is easy to install the connection bar through the gap of louvers when the louvers are opened



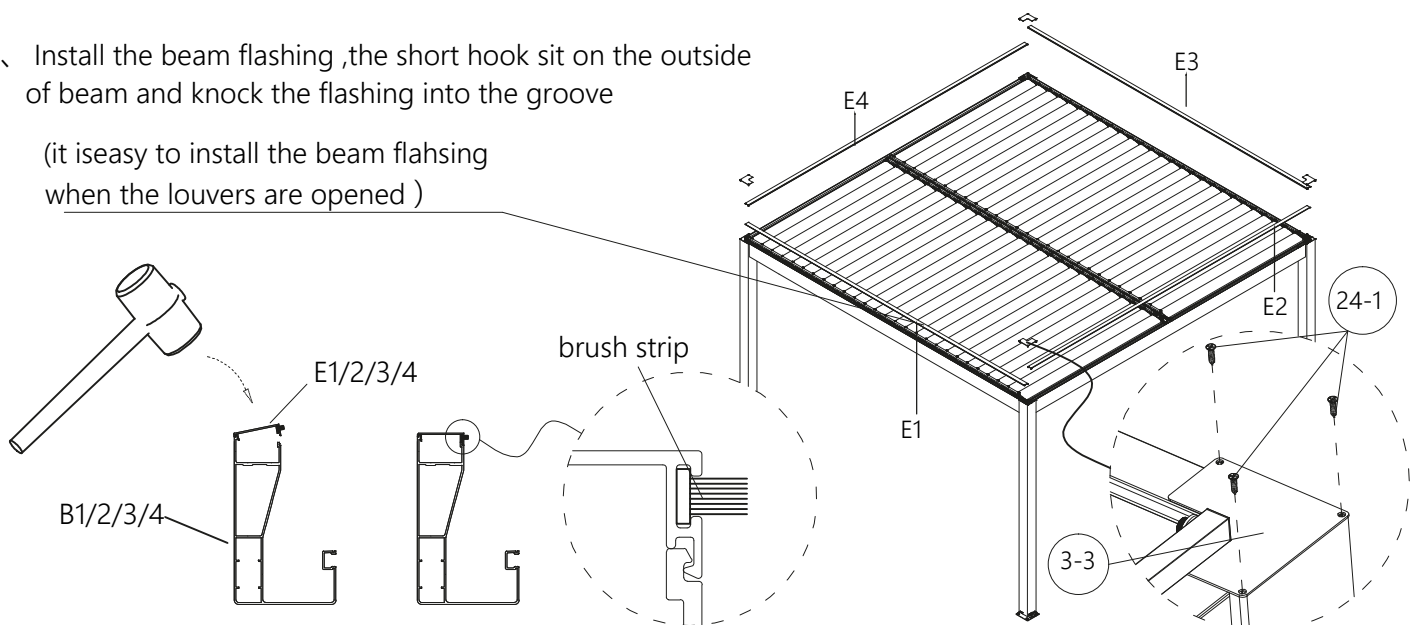
Step eight: Install the gutter corner insert bar , beam flashing and post top covers

8.1、 install the gutter corner insert bars at four corners



8.2、 Install the beam flashing ,the short hook sit on the outside of beam and knock the flashing into the groove

(it is easy to install the beam flashing when the louvers are opened )

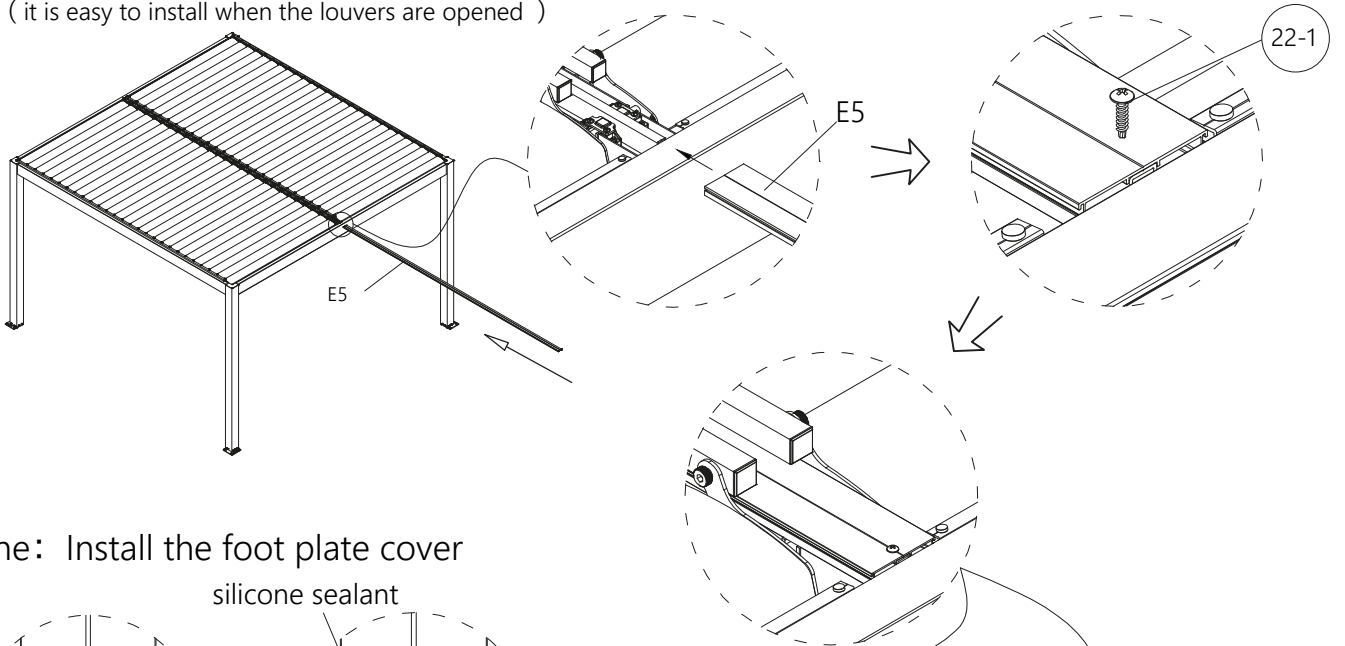


8.3、 Install the post top cover at four corners.

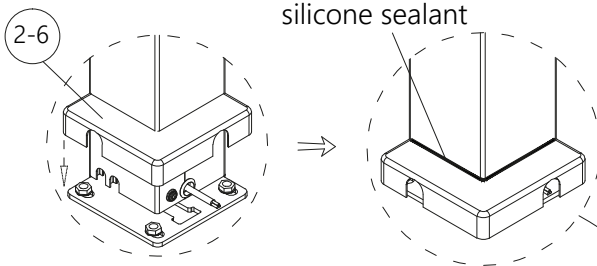
### 8.4、 install the divided beam flashing

8.4.1、 Insert the divided beam flasing into the groove  
( it is easy to install when the louvers are opened )

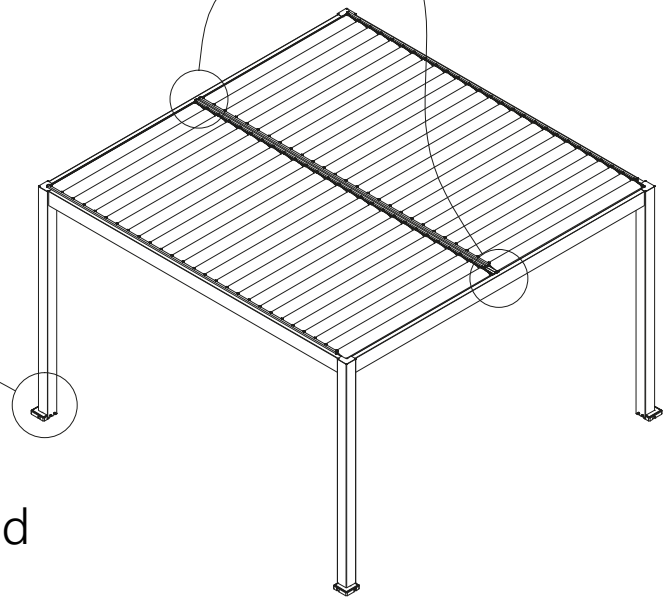
8.4.2、 Screw the flasing at both side



### Step nine: Install the foot plate cover



⚠ notice:  
the silicone sealant are not offered ,  
you should purchase it locally



completed

### Step ten: Check the product functions

- 10.1 Ensure the pergola has been connected to the leakage protection switch.
- 10.2 Check the power supply of the pergola
- 10.3 Check the function of the remote
- 10.4 Check the LED light
- 10.5 Check other equipments

## HOW TO PAIR TUYA APP

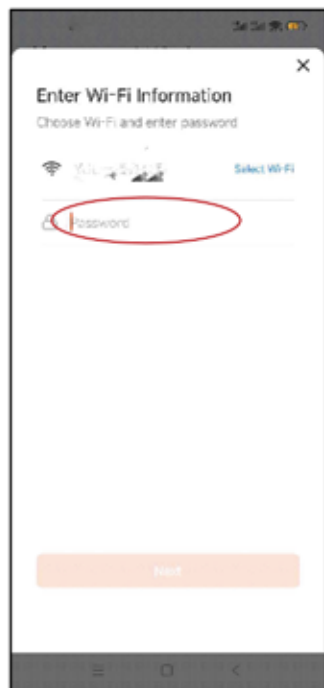
Step One :Clik open TUYA app

1. Prepare a public wifi for the pergola
2. Open the phone bluetooth and TUYA app

⚠ Tip:  
it needs 2.4GHz wifi



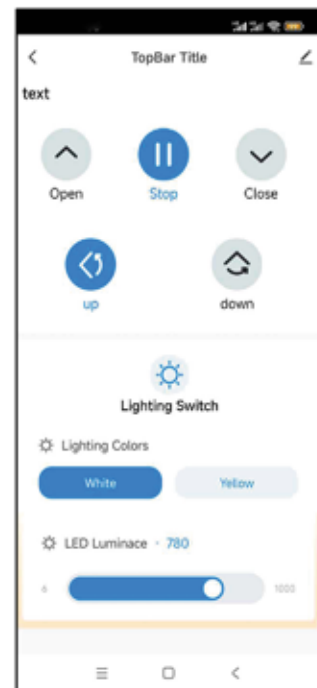
When you open the Tuya app, the 'Add Pergola' button will automatically appear on your mobile screen



Enter the WLAN password



Click 'Done' when you have successfully added it.



Operation screen

3. How to delete the APP control



TUYA APP control screen



Press and hold the pair button about seven seconds until the indicate light turn off one second



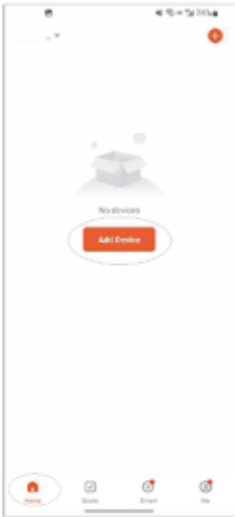
Refresh the app control screen, and you will find that the pergola has been deleted

# HOW TO PAIR TUYA APP

Step One :Clik open TUYA app

1. Prepare a public wifi for the pergola
2. Open the phone bluetooth and TUYA app

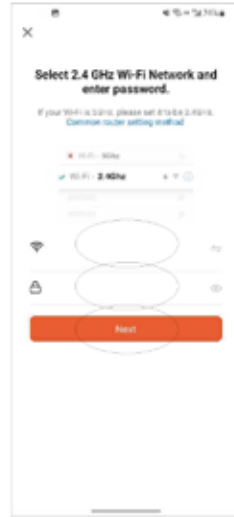
! Tip:  
it needs 2.4GHz wifi



1. Open tuya app and click add device



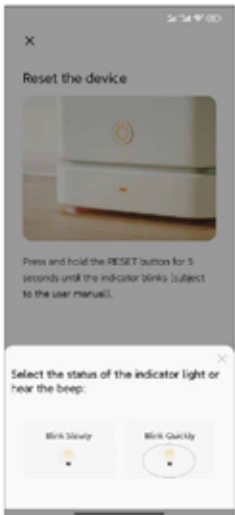
2. Search door window (WIFI) in the category



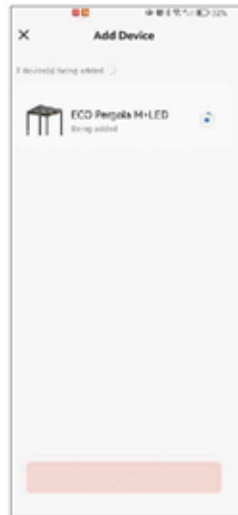
3. enter the wifi password



5. click confirm



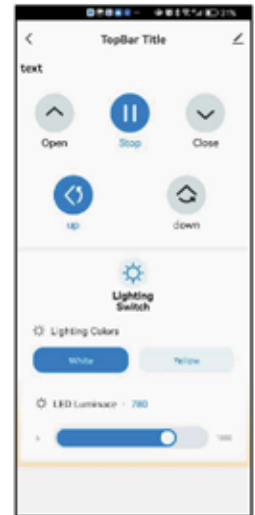
6 select quick flash



7.Waiting for connection



8. success

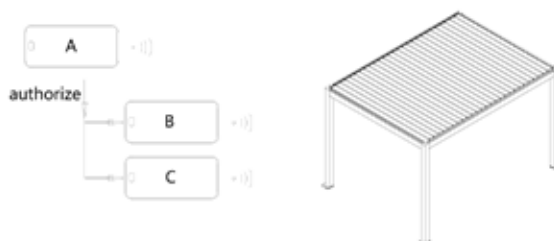


9. operation panel

# How to authorize account to your family members

## TUYA APP

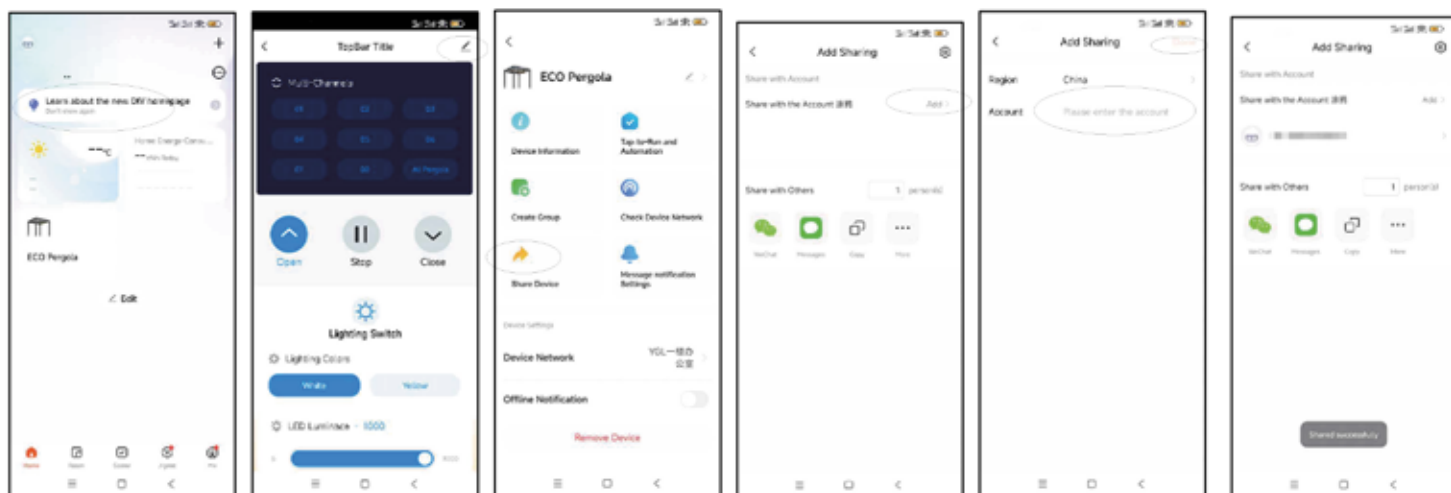
When you connect to tuyu app successfully ,you can share the account to your family members



### Tips:

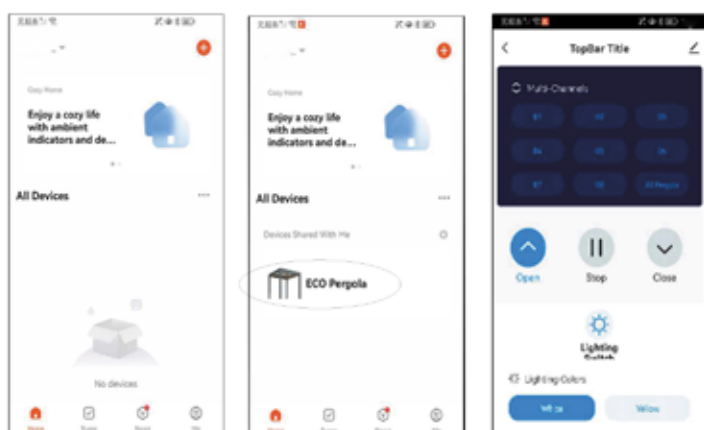
- 1.The owner's phone (A) connect to pergola , he can operate the pergola by his phone A.
- 2.The the other family members also download TUYA app and singn in.The account for logging into the app should be linked to a mobile phone number or accessed using a mobile phone number.

## 1.Create a family group in the phone (A)



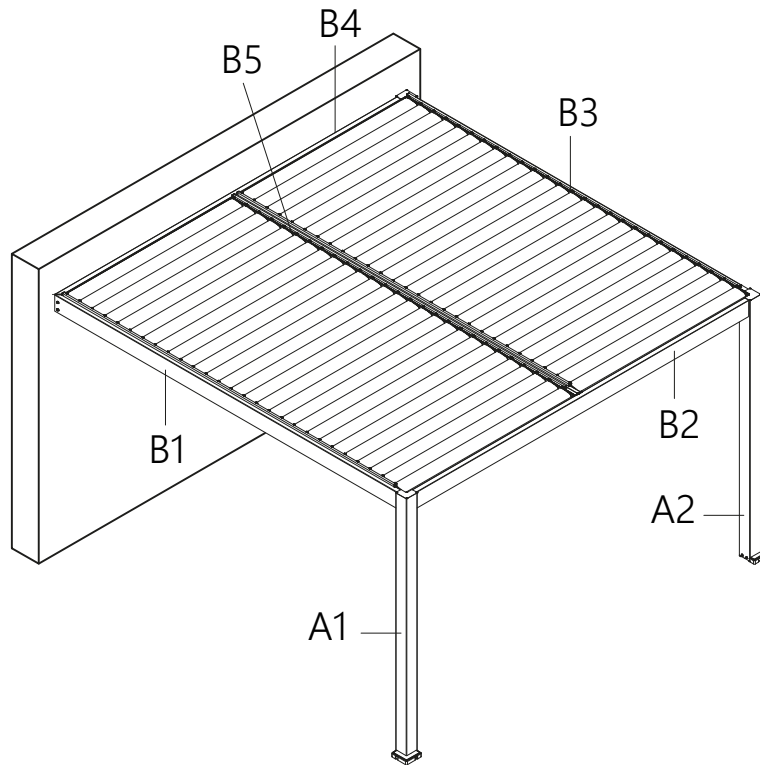
- 1.1、 click"pergola"
- 1.2 click "setting"
- 1.3、 click"sharing the device "
- 1.4、 click "add"
- 1.5、 input the account you want to share
- 1.6、 success

## 2. The other family members accept the invite on their Phones

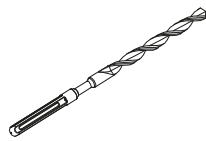


- 2.1、 shortsreen of invitee
- 2.2、 click the invited pergola
- 2.3、 completed shortsreen

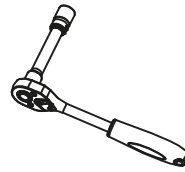
# WALL-MOUNTED TYPE INSTALLATION INSTRUCTION



## What you need



∅ 12 mm drill bit

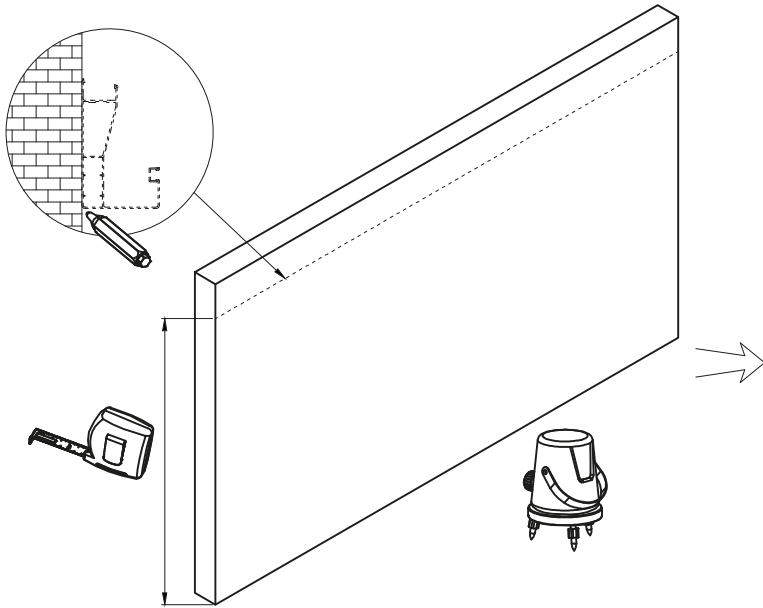


17mm wrench

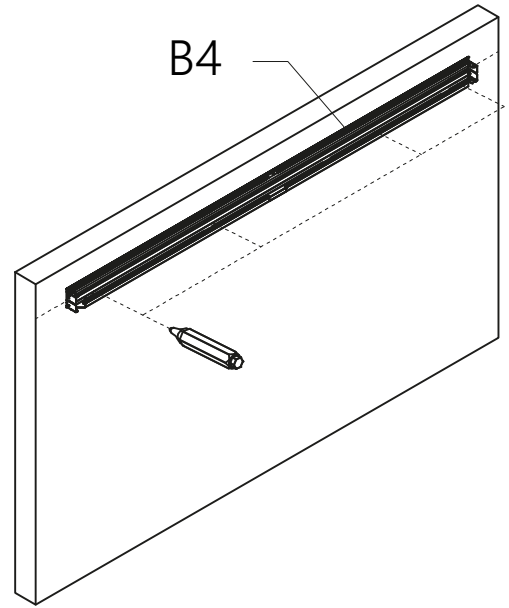
## Hardware

code	Name	photo	remarks
6-2	divided gutter decoration cover ( left )		
6-3	divided gutter decoration cover ( right )		
17-1	SUS hex bolt (M8*14)		
19-1	M8 washer		
19-2	M10 washer		
31-1	Wood screw (M10*100)		
31-2	expansion plug (M14*75)		
32-1	diameter 30 cap		

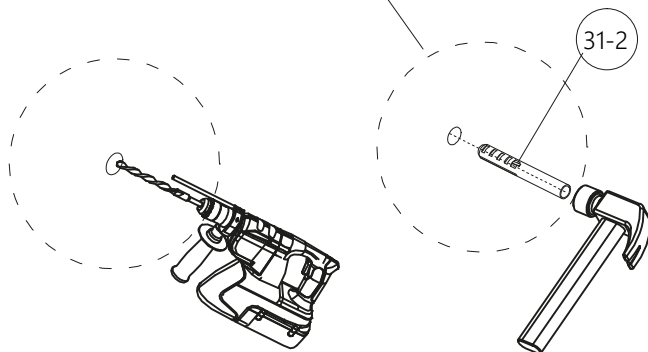
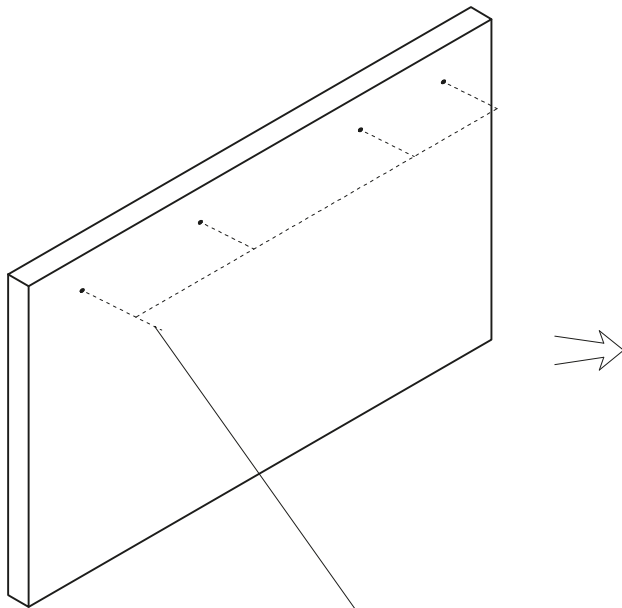
### Step 1: Fix the wall mounted beam on the wall



1.1 、 Take use of gradienter to mark the wall mounted beam height and position

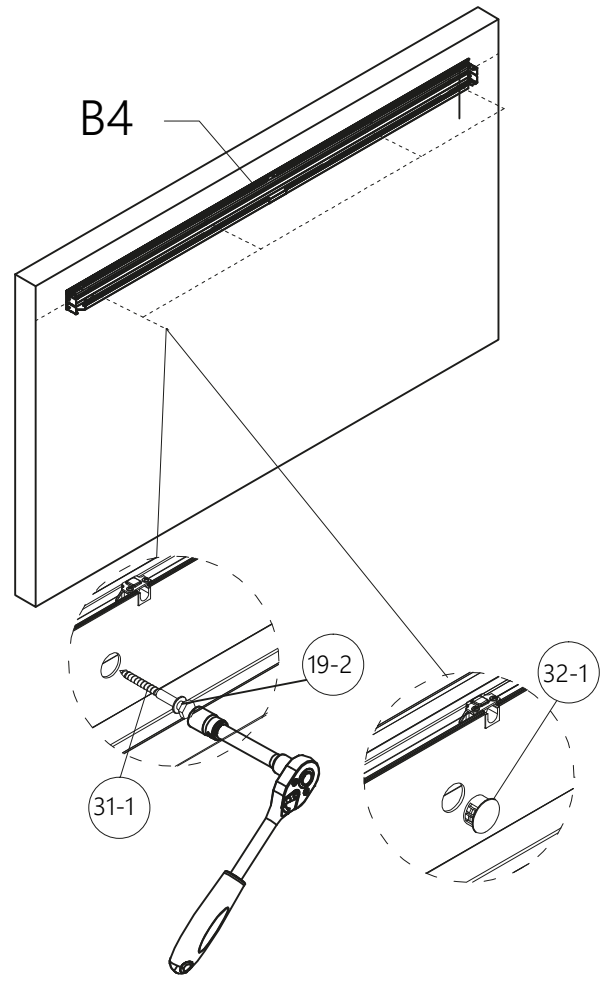


1. 2、 Mark the position of the holes by aligning with the holes on the gutter. You should drill the holes in local to ensure it accurate for your house.



1. 3、 drill holes  $\varnothing 14$  on the sign pot

1.4 、 Stuff the expansion plug into the holes



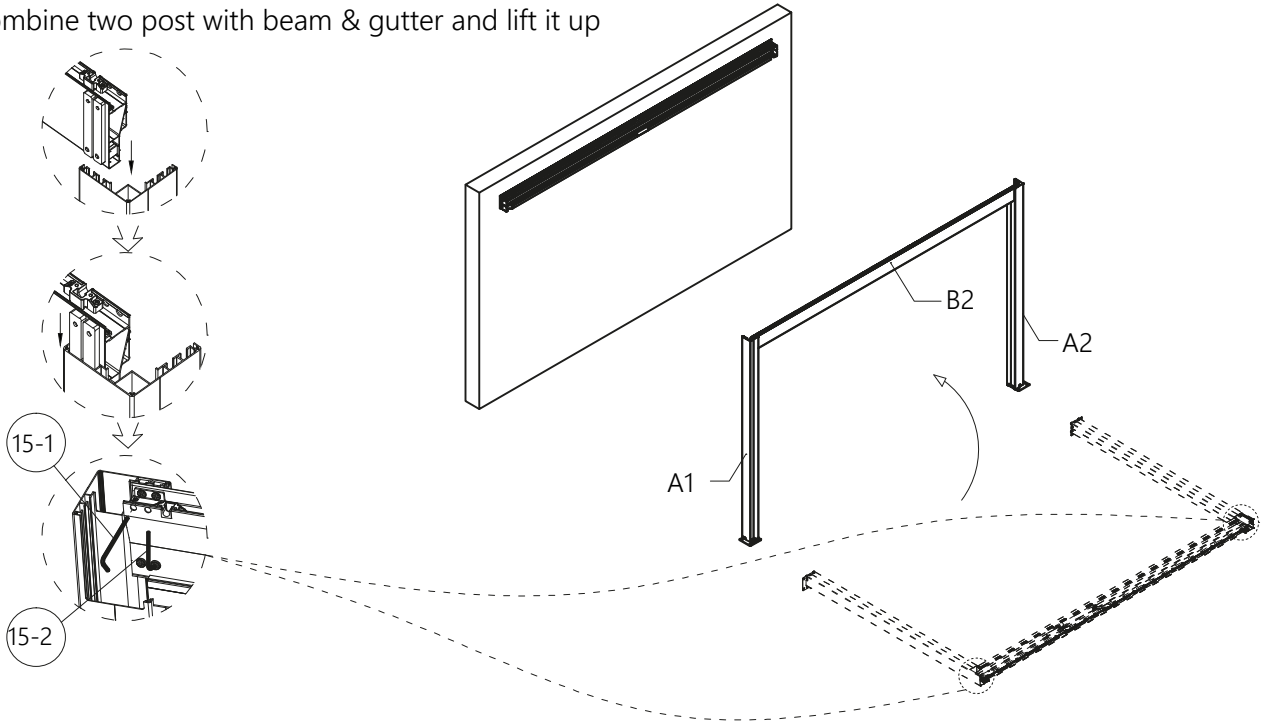
1.5 、 use wrench to screw the beam & gutter on the wall

1.6 、 stuff the cap

△ Notice:  
You should double check the position before fasten the wood screw

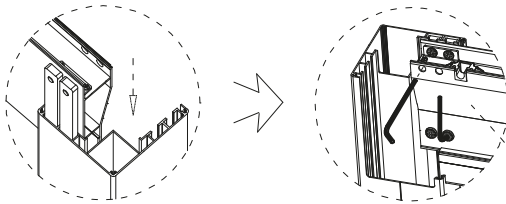
## Step 2: Assemble the pergola frame

2.1、 Combine two post with beam & gutter and lift it up

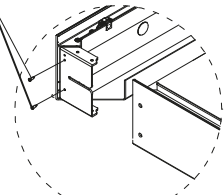


2.2 、 Install the beam & gutter

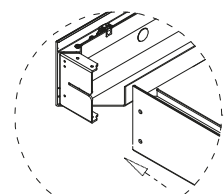
2.2-1 、 Insert the beam into the post groove



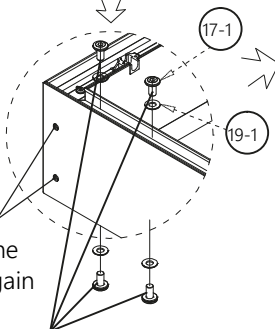
2.2-2 、 Take apart these two screws first



2.3-3 、 Combine the beam & gutter with junction



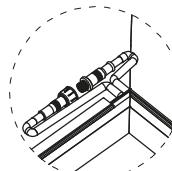
2.2-4 、  
Fasten the  
screw again



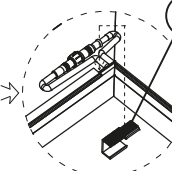
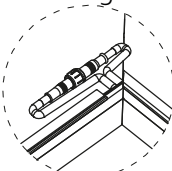
2.2-5 、 Fasten the up  
and bottom screws

The inside connection  
of the beam and gutter need  
to place silicone

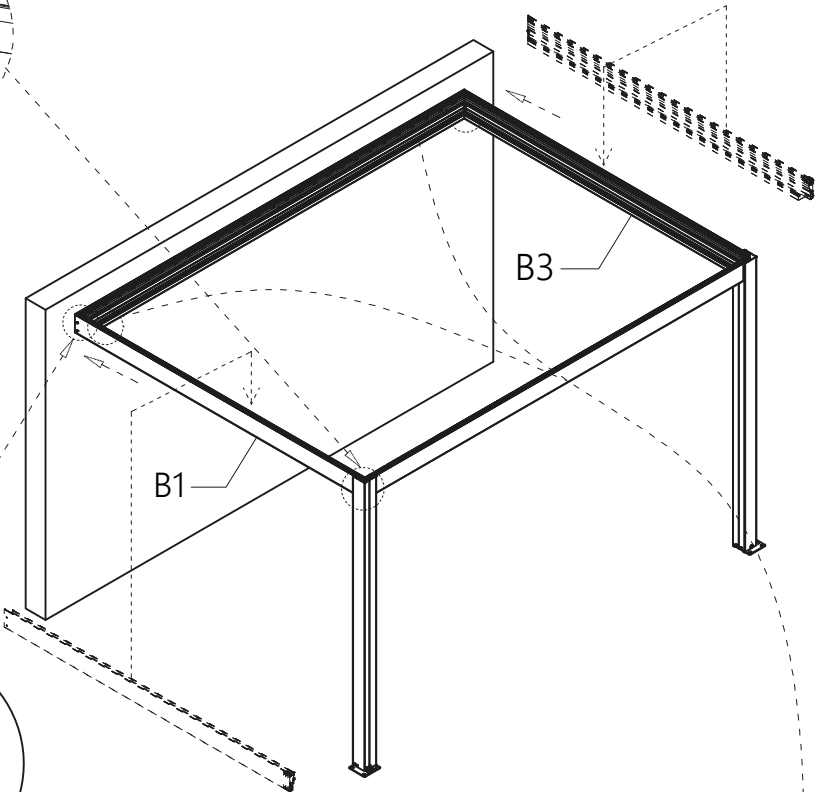
2.3、 Install the gutter decoration  
casing on the  
wallmounted beam&gutter



link the cable connector



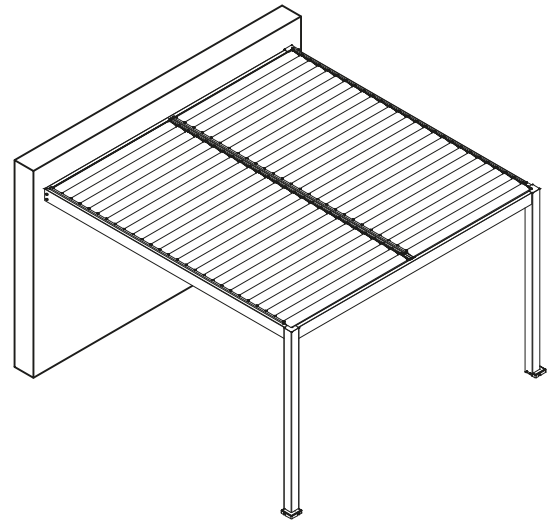
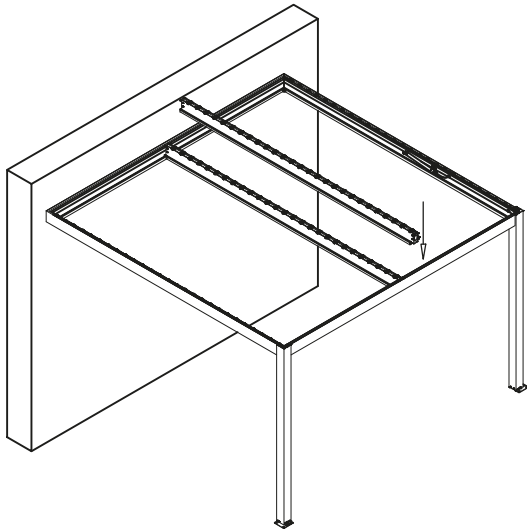
install the gutter decoration casing



Follow the previous Step 2,3,4,5,6,7,8



Until Completed

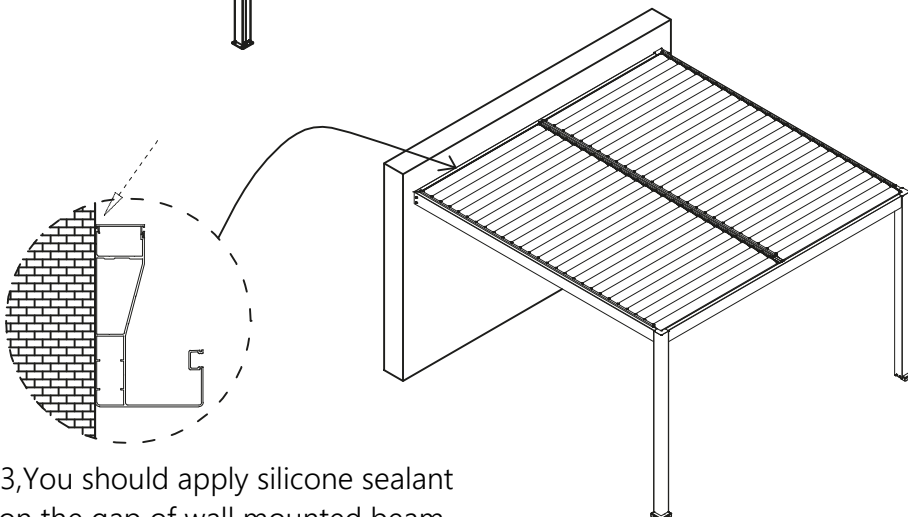
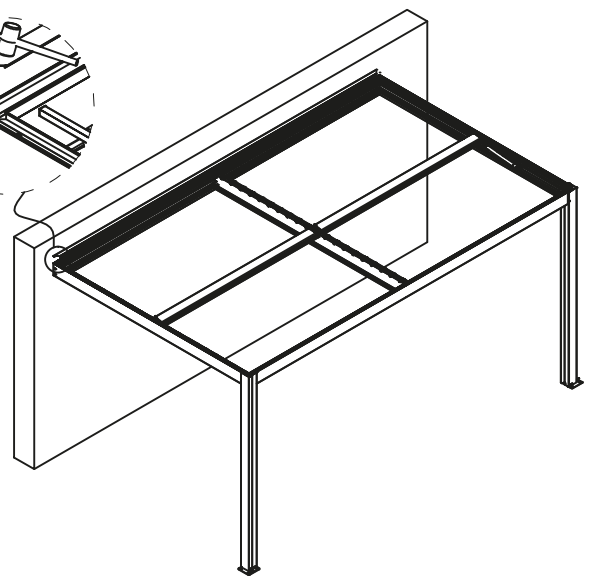
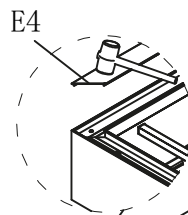
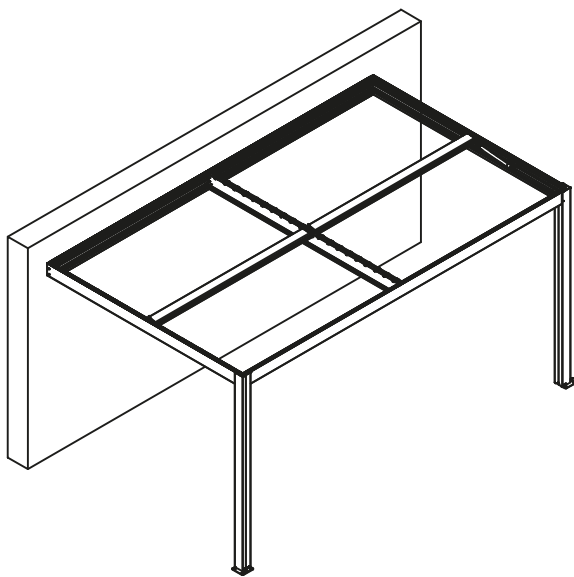


There are two special notice:

-1. Place the driven louvre and led light cable into position

-2. Install the beam flashing

( Note: due to the wall position and difficult to install the beam flashing when install all the louvres)



-3, You should apply silicone sealant on the gap of wall mounted beam

# Trouble Shooting

problem	solutions
The motor and lights do not work	<ol style="list-style-type: none"><li>1.Check if the cables is correct</li><li>2.Check if the voltage for pergola is available: 110V or 220V.</li><li>3.Check if the remote learn to match the control system.</li><li>4.Check if the remote is working or not.</li><li>5.Check if the control system has power output or not.</li></ol>
Blade cannot be opened	<ol style="list-style-type: none"><li>1.Check if the motor works.</li><li>2.Check if the connection bar is installed correctly.</li><li>3.Check if the motor connecting blades and the motor are connected properly.</li></ol>
Leakage at the ceiling fan position	<ol style="list-style-type: none"><li>1.Check if the connection do silicone sealant dealing.</li></ol>
The remote does not work	<ol style="list-style-type: none"><li>1.Press the learn button within 5 seconds when the motor input power.</li><li>2.Check if the remote battery is available.</li></ol>
can not link to APP	<ol style="list-style-type: none"><li>1.ensure you read the manual of tuya app link</li><li>2.you should remove the previous phone record then you can connect again</li></ol>

# Maintenance and Repair

## Caring for Your Pergola

Maintaining the original appearance of your pergola requires cleaning the surface annually. The thermosetting powder coating on the product's surface is susceptible to:

1. Physical abrasion, hard impacts, extrusion, and exposure to chemicals, including alkaline and acidic solvents.
2. Natural elements like wind, rain, snow, and prolonged exposure to sunlight.

## Cleaning Your Pergola:

1. Avoid using scouring pads, cream cleaners, abrasive sponges, iron wire balls, or colored cloths.
2. Recommended materials: Soft sponges, lint-free soft cloths, cotton wool, cotton, or non-woven fabrics (white only).
3. Steer clear of corrosive products such as acidic or alkaline cleaners. Instead, wash with water of a lower PH value and wipe with a cloth to maintain cleanliness.
4. When using high-pressure equipment, be mindful of distance, nozzle type, water temperature, and pressure to avoid damage.

## Reminder for Use:

After installation, please ensure the screws are tightened and check them at least once a year.

1. Regularly inspect sealing components to prevent leaks.
2. Clear debris like fallen leaves from the pergola to prevent drainage pipe blockage.
3. Usage Limitations: While the waterproof system provides protection, it does not guarantee complete waterproofness. Heavy rain and strong winds may cause damage, which may not be covered by the warranty.

# A letter of thanks

Dear customer

I would like to take the opportunity to thank you for your patronage and purchasing our products .I assure you have purchased the perfect louvre pergola for you.Our team hopes you love our louvre pergola and share happy time with your family members and friends .

At our company, we prioritize customer satisfaction above all else. We warmly welcome your feedback, suggestions, and requests as they are invaluable in helping us enhance our services. Your opinions and comments are greatly appreciated and play a crucial role in our continuous improvement process. We would be delighted to hear your thoughts on our products. Please feel free to leave reviews on our website or reach out to us directly.

Thank you once again for choosing us, and it is our pleasure to serve you. If you have any questions or clarifications, please do not hesitate to contact us.

Gratefully